



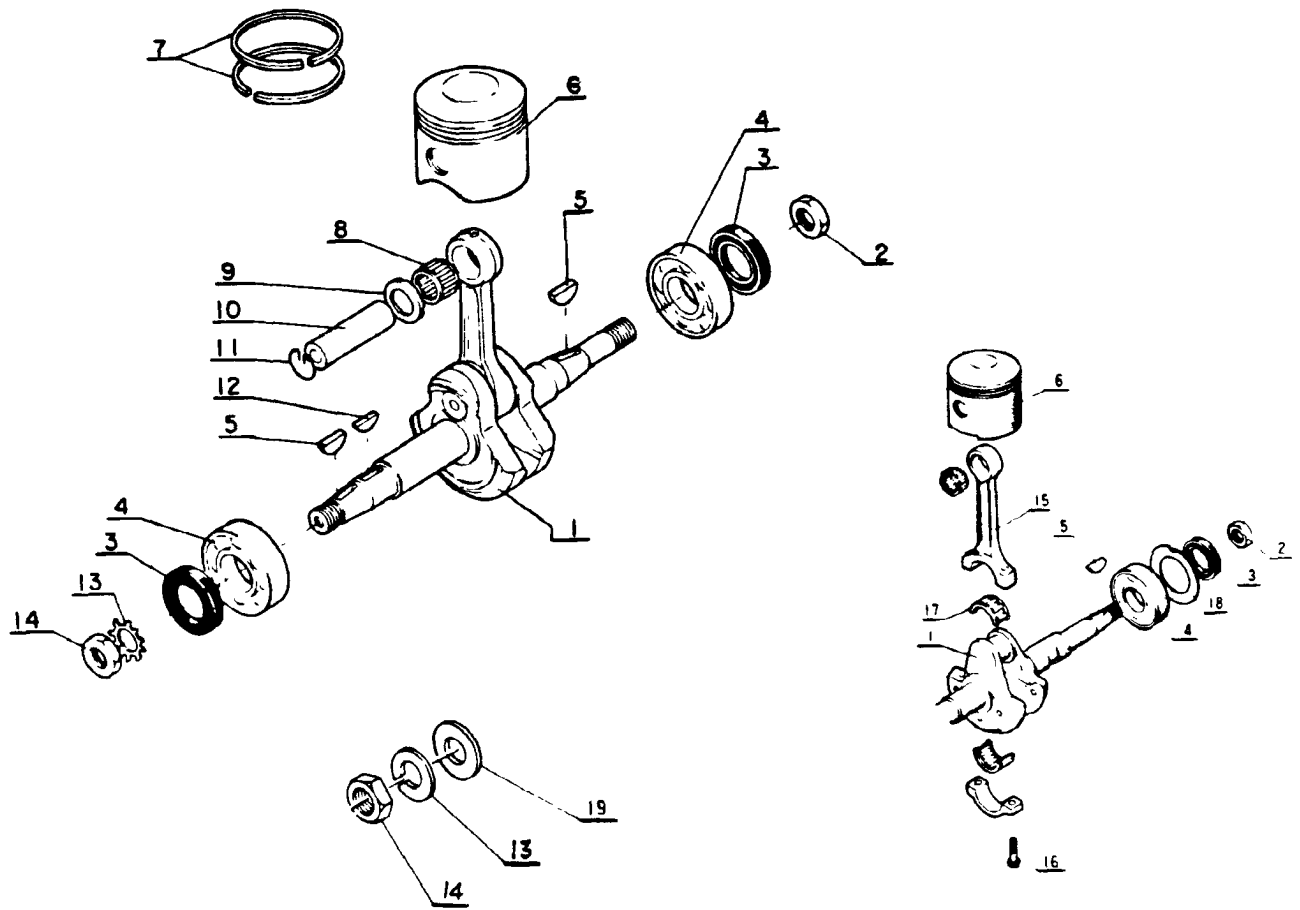
**CHAIN SAW  
PARTS CATALOG  
MODEL CS-301**

**SERIAL NUMBER 001001 & UP**

**CS-100**

**SERIAL NUMBER 001001 & UP**

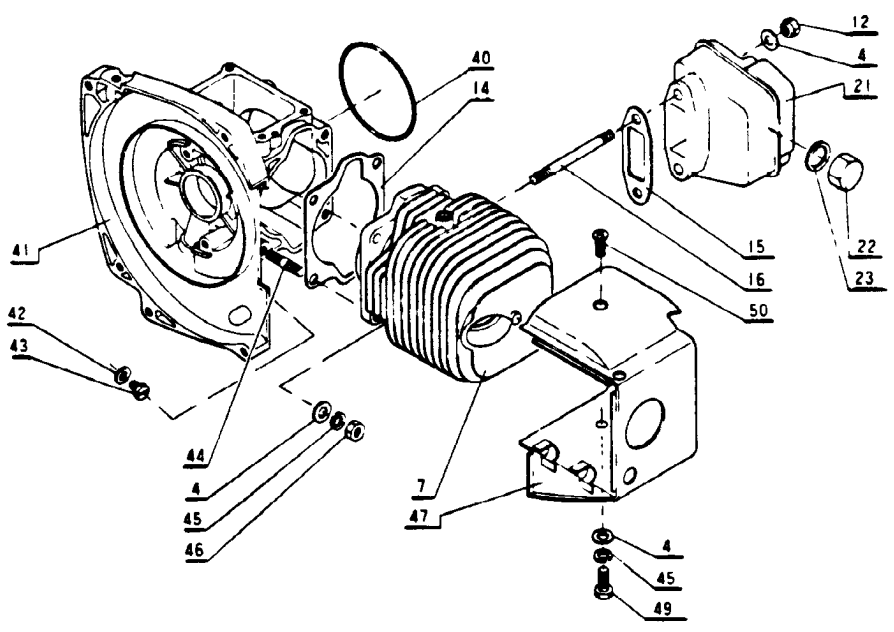
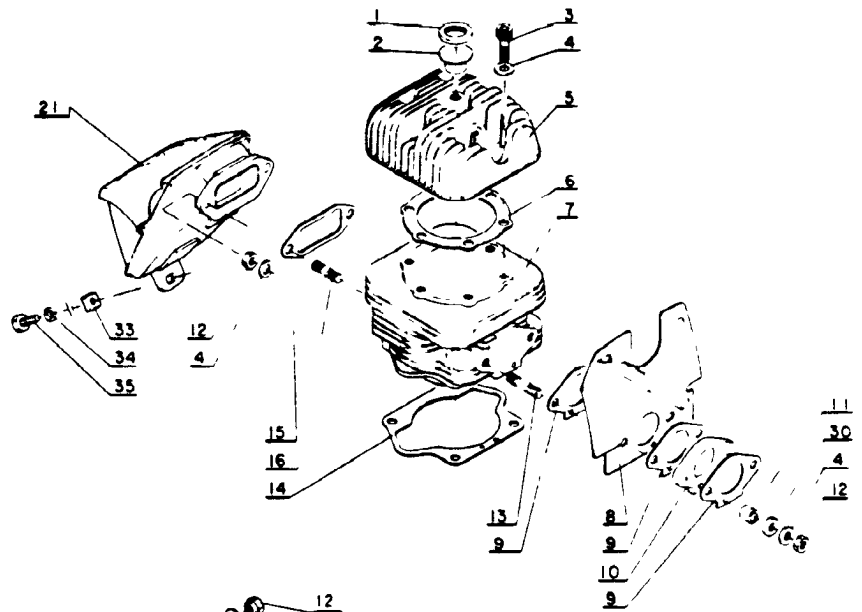
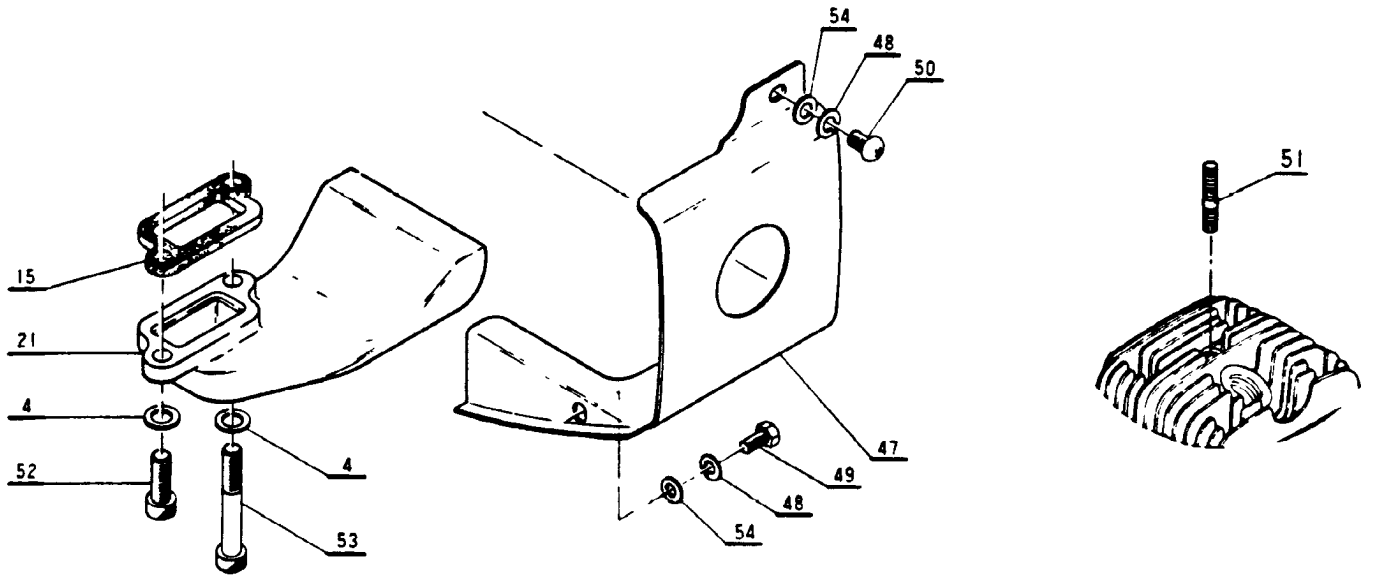
**ECHO, INCORPORATED  
400 OAKWOOD ROAD  
LAKE ZURICH, IL 60047**



(1) Crank shaft & Piston

Key No	Description	CS-301	CS-60S (JIS)	CS-60S (ISO)	CS-802S	CS-100 (JIS)	CS-100 (ISO)
1- 1	Crankshaft	100 100-0083 0	100 100-0033 0		100 105-0063 0	100 105-0013 0	
2	Nut	100 129-0343 0	100 129-0023 0		100 129-0023 0	100 129-0023 0	
3	Oilseal	100 212-0083 0	100 212-0033 0		100 212-0033 0	100 212-0013 0	
4	Ball bearing	900 810-0620 2	900 810-3620 3		900 810-3620 3	900 810-0620 4	
5	Woodruff Key	900 322-0301 4	900 322-0301 4		900 322-0301 4	900 322 0301 4	
6	Piston	100 010-0083 0	100 010-0033 0		100 010-0043 0	100 010-0013 1	
7	Piston Ring	100 011-0111 0	100 011-0023 0		100 011-0043 0	100 011-0013 0	
8	Roller bearing	100 012-0031 0	100 012-0023 0		100 012-0043 0	100 012-0013 0	
9	Piston pin spacer		100 014-0023 0		100 014-0043 0	100 014-0013 0	
10	Piston pin	100 013-0041 0	100 013-0023 0		100 013-0043 0	100 013-0013 0	
11	End ring	100 015-0012 0	100 015-0023 0		100 015-0023 0	100 015-0013 0	
12	Woodruff Key		100 142-0033 0		100 142-0033 0	100 142-0033 0	
13	Lockwasher	900 605-0000 8	100 143-0023 0		100 143-0023 0	100 143-0023 0	
14	Nut	900 500-0000 8	100 144-0023 0		100 144-0023 0	100 144-0023 0	
15	Connecting rod				100 114-0043 0	(100 114-0013 0)	100 114-0013 1
16	Bolt				100 118-0043 0	100 118-0013 0	100 118-0083 0
17	Roller retainer				100 113-0043 1	100 113-0013 1	
18	Adjusting washer					100 217-0013 0	
19	Washer	900 600-0000 8					

(1) CRANKSHAFT & PISTON

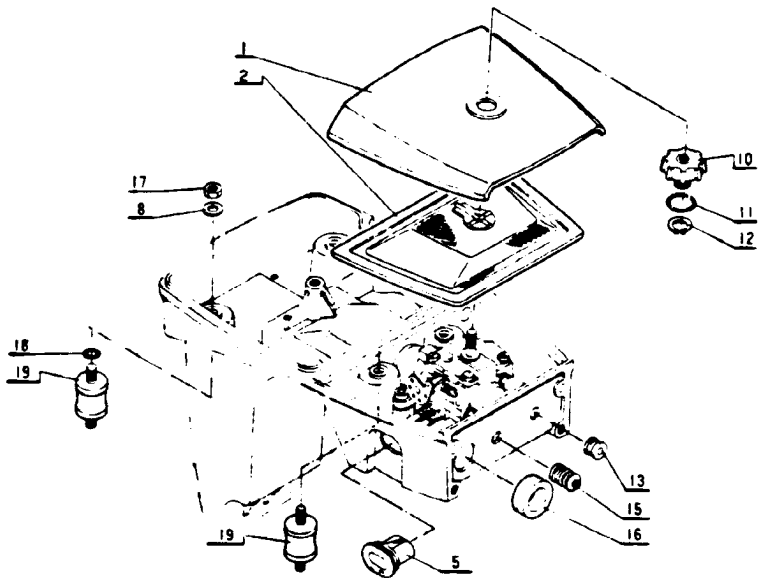
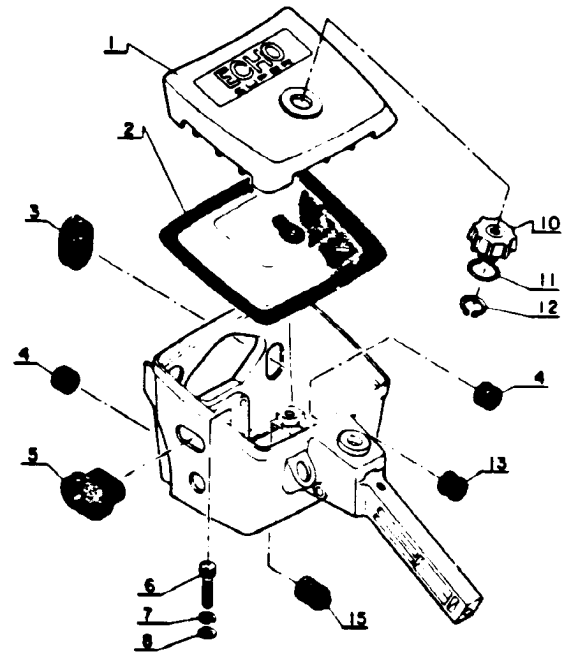
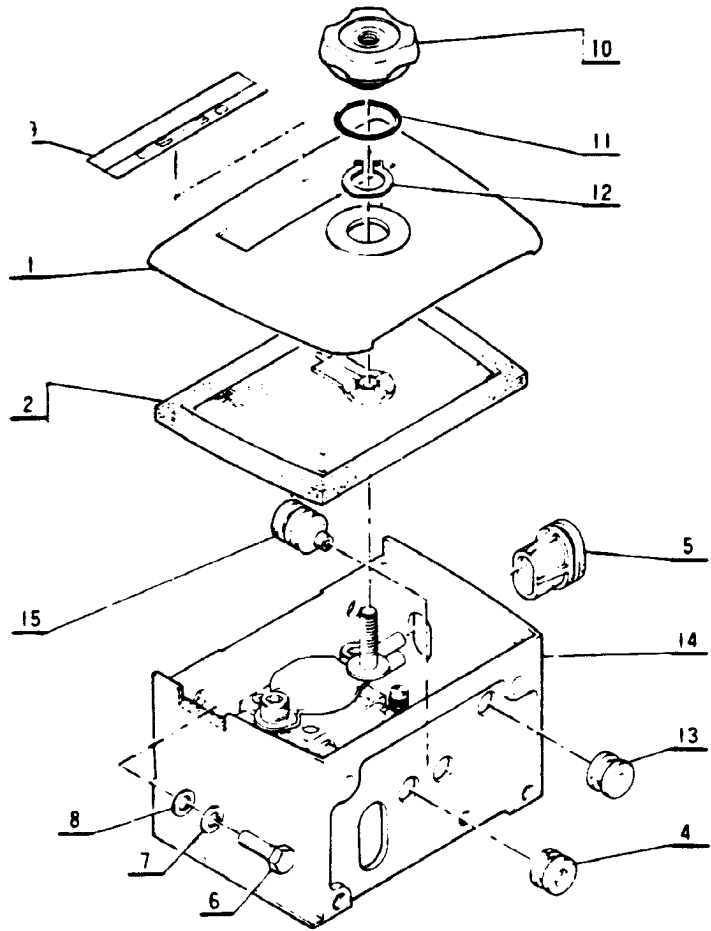


(2) CYLINDER

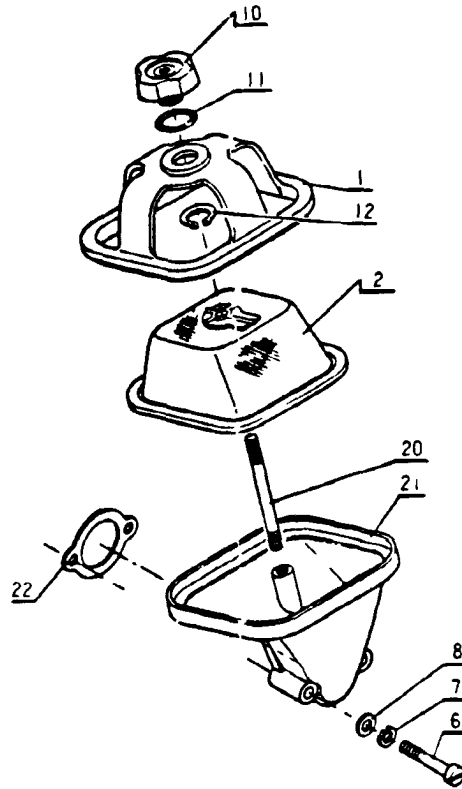
## (2) Cylinder

Key No.	Description	CS-301	CS-60S (JIS)	CS-60S (ISO)	CS-802S	CS-100 (JIS)	CS-100 (ISO)
2- 1	Cylinder cover packing					101 022-0013 0	
2	Cylinder cover supporter					101 021-0013 0	
3	Bolt 6 x 22					101 017-0013 0	
4	Washer	900 600-0000 5	900 600-0000 6		900 600-0000 6	900 600-0000 6	
5	Cylinder head					101 019-0013 1	
6	Cylinder head gasket					101 018-0013 0	
7	Cylinder	101 000-0083 1	(101 000-0033 2)	101 000-0033 3	101 011-0043 0	101 011-0013 1	
8	Windproof plate					130 011-0013 1	
9	Carburetor packing					130 010-0013 0	
10	Insulator					130 017-0013 0	
11	Distance pice					130 019-0013 0	
12	Lock nut		145 713-0063 0		145 713-0063 0	145 710-0023 0	
13	Stud bolt					101 014-0013 0	
14	Cylinder packing	101 010-0083 0	101 010-0023 0		101 010-0043 0	101 010-0013 0	
15	Muffler gasket	145 510-0083 0	145 510-0023 0		145 510-0043 0	145 510-0013 0	
16	Stud bolt		101 014-0023 0		101 014-0063 0	101 014-0013 0	
21	Muffler	145 610-0083 0	145 605-0033 0		145 605-0063 1	145 600-0013 3	
22	Muffler cap				(145 623-0063 0)		
23	Cap gasket				(145 624-0063 0)		
30	Packing					130 025-0013 0	
33	Nut					145 713-0013 0	145 713-0013 1
34	Spring washer					900 605-0000 5	
35	Bolt					900 001-0501 2	900 100-0501 2
40	O-ring				100 242-0043 0		
41	Crank case				100 206-0063 0		
42	Packing				100 250-0043 0		
43	Bolt				100 248-0043 0		
44	Stud bolt	100 214-0083 0			100 214-0043 0		
45	Spring washer	900 605-0000 5			900 605-0000 6		
46	Nut	900 500-0000 5			900 500-0000 6		
47	Cylinder cover	101 514-0083 0			101 506-0063 1		
48	Spring washer	900 605-0000 4					
49	Bolt	101 525-0083 0			900 100-0601 2		
50	Screw	900 210-0400 8			900 204-0601 2		
51	Stud bolt		101 020-0033 0	101 020-0033 1			
52	Bolt	100 118-0083 0					
53	Bolt	101 014-0083 0					
54	Washer	900 600-0000 4					

## (2) CYLINDER



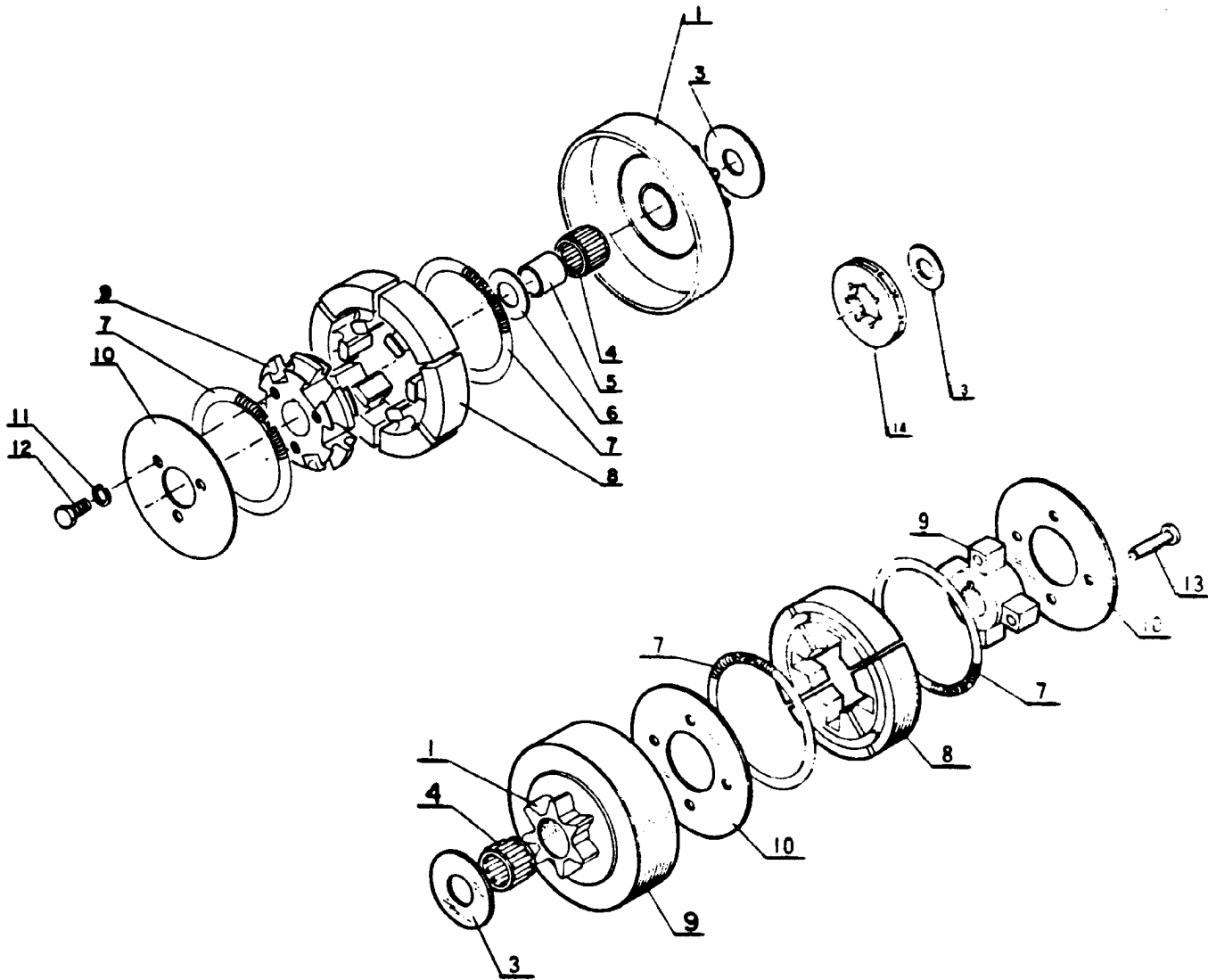
(3) AIR CLEANER



(3) Air cleaner

Key No	Description	CS-301	CS-60S (JIS)	CS-60S (ISO)	CS-802S	CS-100 (JIS)	CS-100 (ISO)
3- 1	Air filter cover	130 313-0083 0	130 313-0033 0		130 313-0043 0	• 130 313-0013 2	
2	Air filter	130 305-0083 0	130 305-0033 0		130 305-0063 0	• 130 305-0013 3	
3	Grommet		437 410-0033 0				
4	Rubber bush	178 115-0083 0	178 210-0023 0				
5	Grommet	129 010-0083 0	129 010-0023 0		129 010-0063 0		
6	Bolt	900 100-0501 2	100 244-0023 0	130 015-0283 0		130 417-0013 0	
7	Spring washer	900 605-0000 5	900 605-0000 5			900 605-0000 5	
8	Washer	900 600-0000 5	900 600-0000 5		900 600-0000 6	900 600-0000 5	
9	Name label	890 021-0083 1	890 013-0033 1				
10	Thumb nut	130 406-0083 0	130 406-0023 0	130 406-0033 0		• 130 406-0083 0	
11	O ring	130 414-0023 0	130 414-0023 0			• 130 414-0023 0	
12	Circlip	900 701-0001 1	900 701-0001 1			• 900 701-0001 1	
13	Rubber bush	178 810-0283 0	178 810-0283 0		178 810-0283 0		
14	Carburetor case	130 314-0083 0					
15	Rubber bush	178 211-0083 0	178 211-0033 0		178 211-0033 0		
16	Dust seal		163 911-0033 0		437 510-0043 0		
17	Nut				145 710-0023 0	* mark Included in Aircleaner ass'y	
18	O ring				131 013-0043 0		
19	Rubber cushion				131 905-0063 2		
20	Stud bolt					• 130 325-0013 1	
21	Air cleaner body					• 130 301-0013 1	
22	Packing					• 130 418-0013 0	
	Air cleaner Ass'y					130 300-0033 4	
	(Air filter)					130 305-0013 1	(Round type)

(3) AIR CLEANER

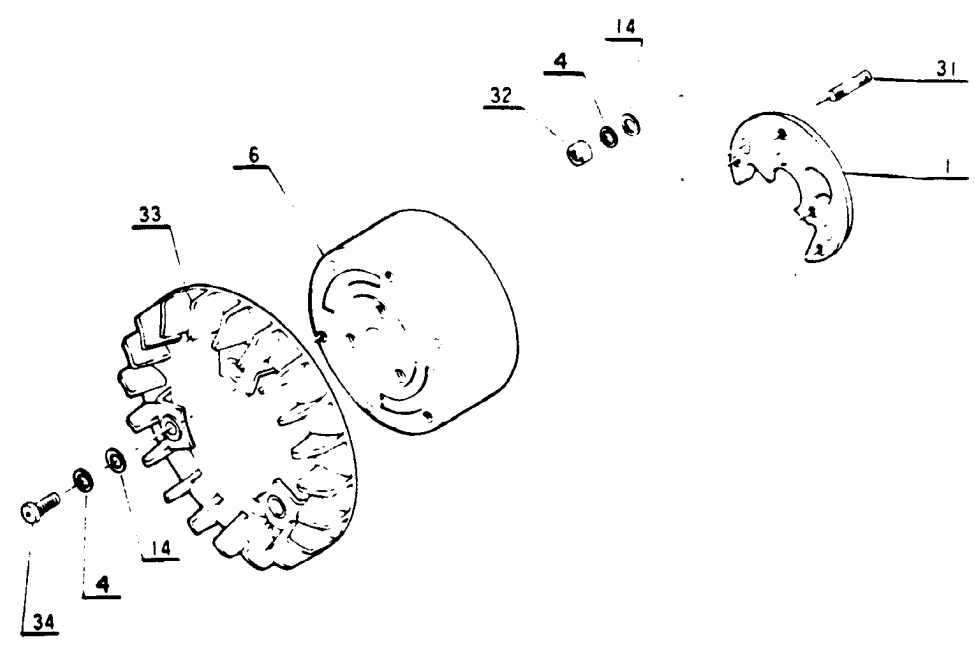
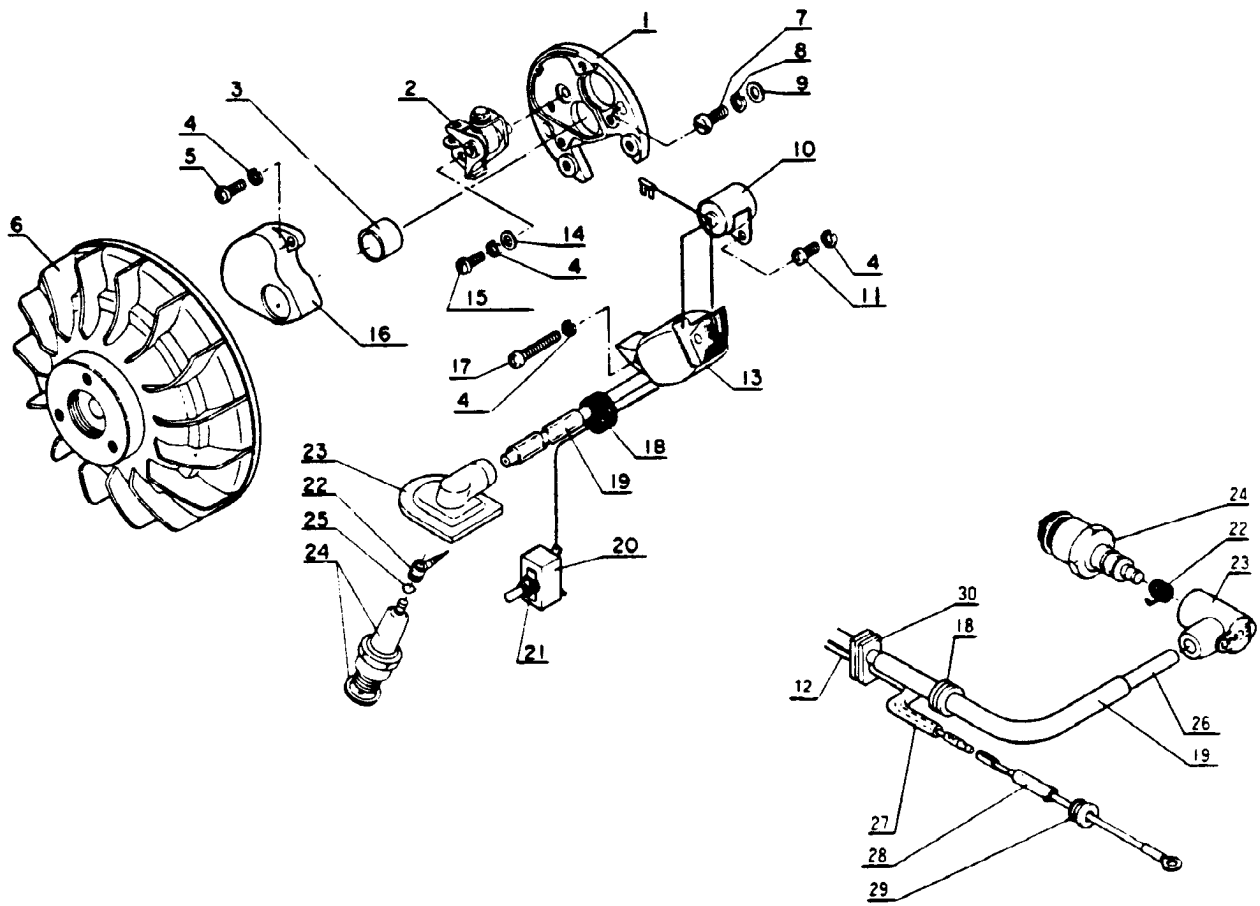


4) Clutch

Key No.	Description	CS-301	CS-60S (JIS)	CS-60S (ISO)	CS-802S	CS-100 (JIS)	CS-100 (ISO)
4- 1	Clutch case	175 007-0083 0		175 005-0023 0	175 006-0043 0		175 006-0013 0
3	Clutch washer (O)	175 014-0083 0		175 014-0023 0	175 014-0023 0		175 014-0013 0
4	Roller bearing	175 012-0083 0		175 012-0023 0	175 012-0023 0		175 012-0013 0
5	Clutch spacer			175 013-0023 0	175 013-0023 0		
6	Clutch washer (I)	175 015-0083 0		175 015-0023 0	175 015-0023 0		
	Clutch ass'y	175 000-0083 0	(175 000-0023 0)	175 000-0033 1	175 000-0043 0		175 000-0013 0
7	Clutch spring	*175 018-0122 0		*175 018-0023 0	*175 018-0043 0		*175 018-0013 0
8	Clutch shoe	*175 017-0083 0		*175 017-0023 0	*175 017-0043 0		*175 017-0013 0
9	Clutch boss	*175 016-0083 0	(*175 016-0023 0)	*175 016-0033 0	*175 016-0043 0		*175 016-0013 0
10	Clutch plate	*175 019-0083 0		*175 019-0023 0	*175 019-0023 0		*175 019-0013 0
11	Spring washer			*900 805-0000 5	*900 805-0000 5		
12	Bolt		*900 001-0501 0	*900 100-0501 0	*900 100-0501 0		
13	Rivet						*175 021-0013 0
14	Lim	175 033-0083 0					
		* mark: Included in Clutch ass'y.					

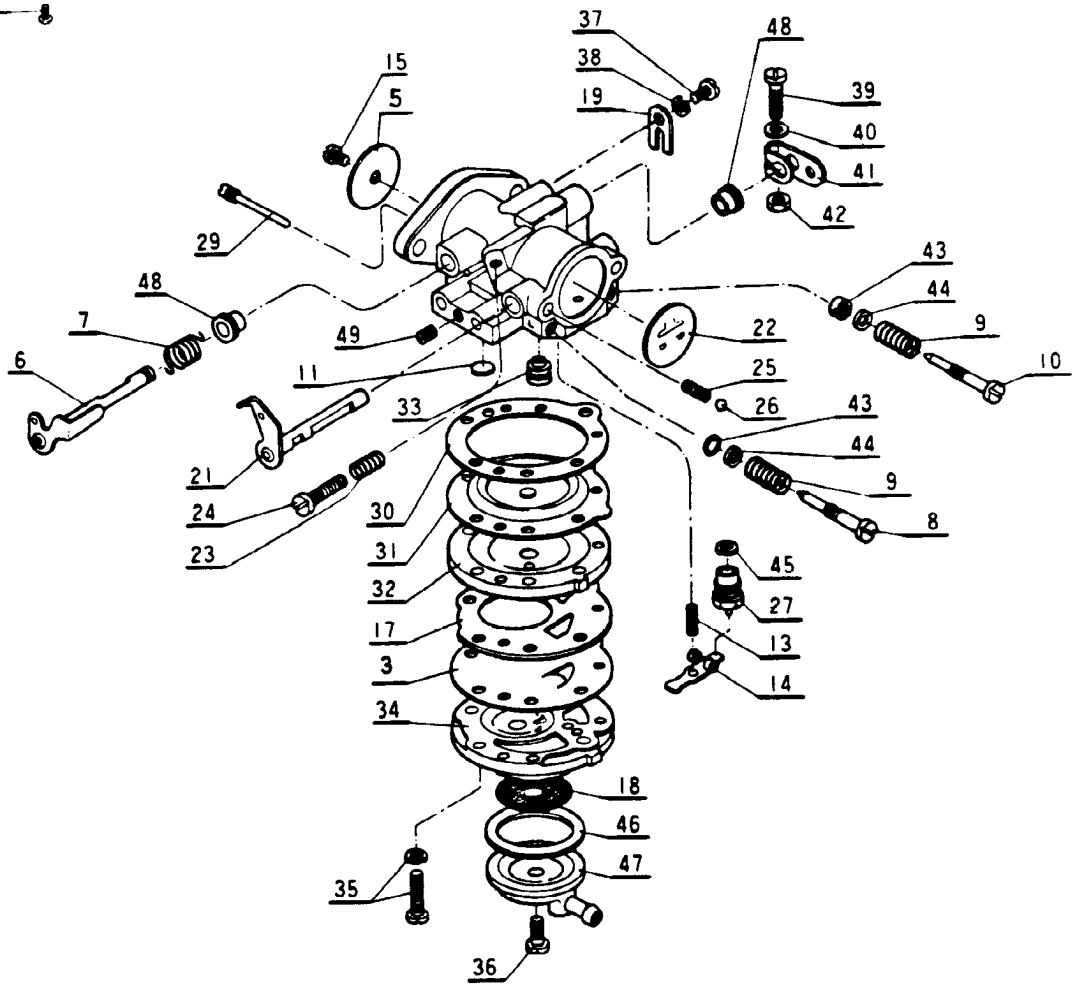
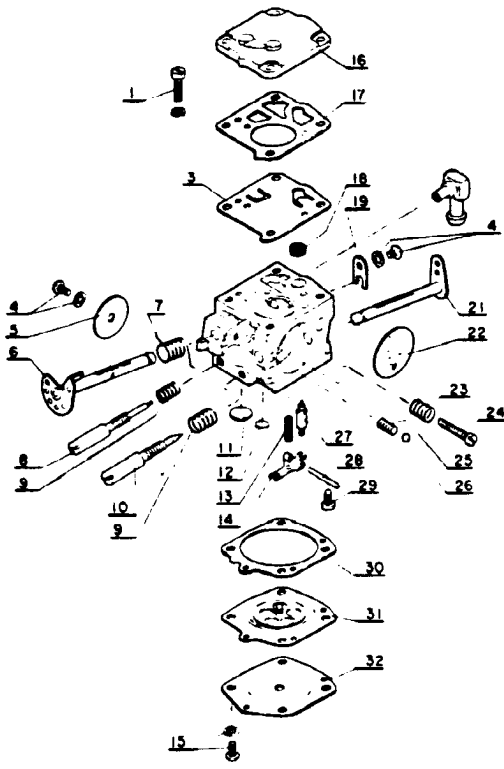






(6) MAGNETO



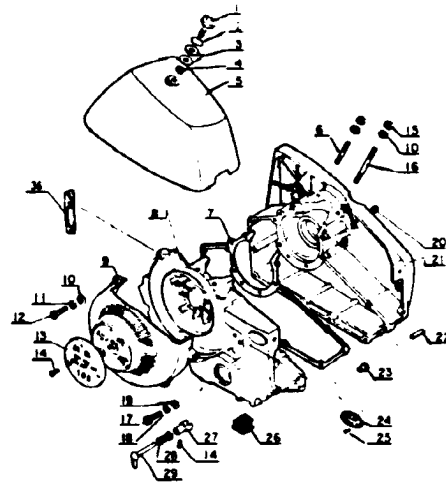
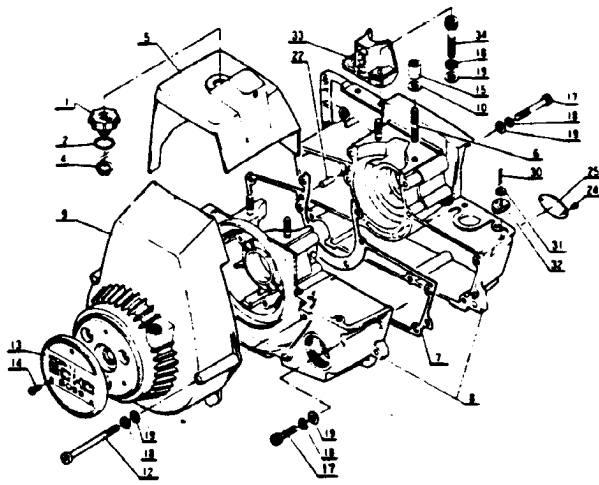


(7) CARBURETOR

## (7) Carburetor

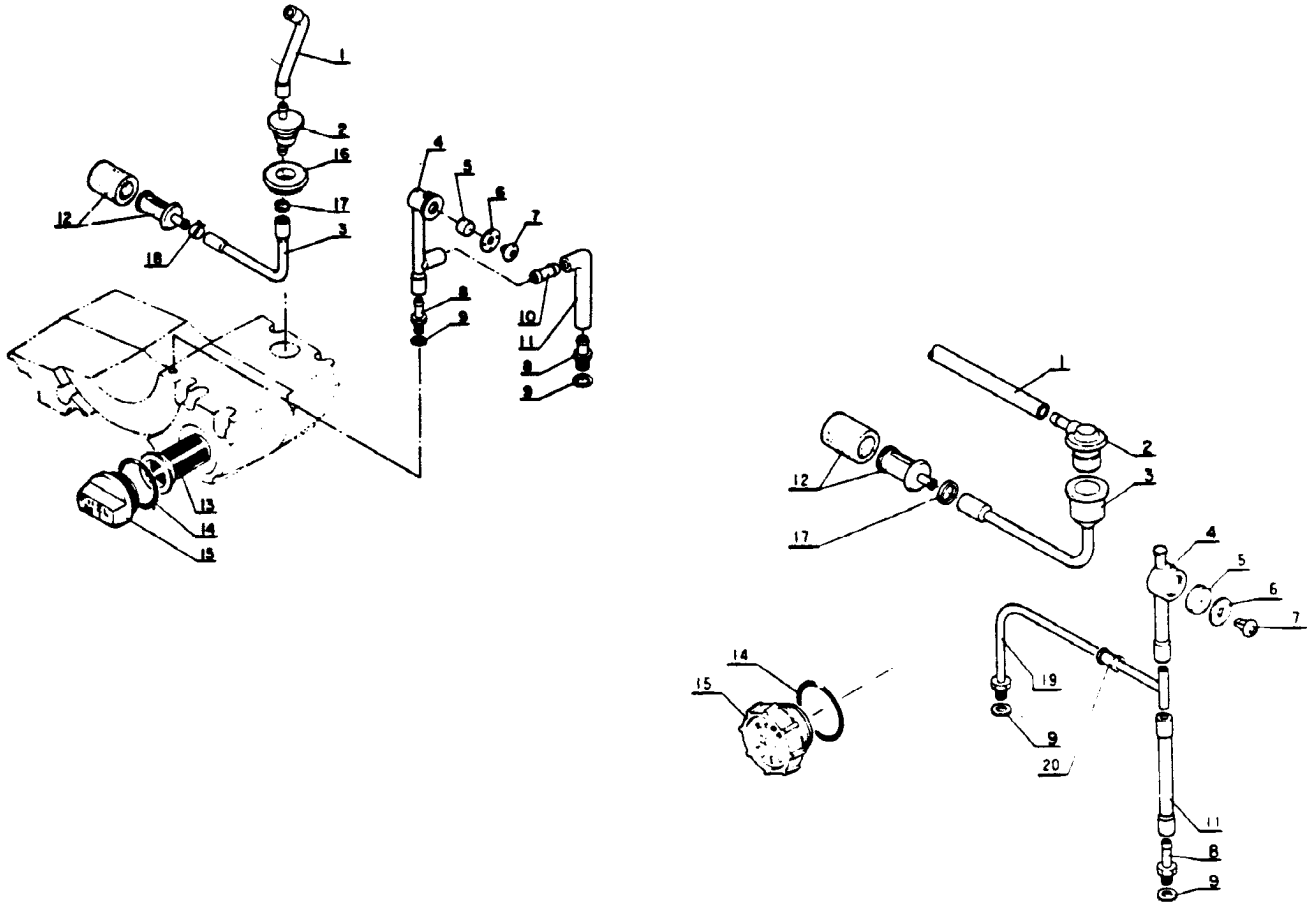
Key No.	Description	CS-301	CS-60S (JIS)	CS-60S (ISO)	CS-802S	CS-100 (JIS)	CS-100 (ISO)	
7-	Carburetor ass'y	122 000-0083 0	122 000-0023 0		122 000-0043 0	122 000-0013 0		
		(HU-1B)	(HS-25 A)		(HS-54B)	(HL- 226 A)		
1	Screw	*122 110-0083 0	*122 110-0023 0		*122 110-0023 0			
3	Pump diaphragm	*122 112-0083 0	*122 112-0023 0		*122 112-0023 0	*122 112-0013 0		
4	Screw	*122 114-0023 0	*122 114-0023 0		*122 114-0023 0			
5	Throttle butterfly	*122 116-0083 0	*122 116-0023 0		*122 116-0023 0	*122 116-0013 0		
6	Throttle shaft	*122 117-0083 0	*122 117-0023 0		*122 117-0043 0	*122 117-0013 0		
7	Return spring	*122 113-0083 0	*122 113-0023 0		*122 113-0023 0	*122 113-0013 0		
8	Idle adjust screw	*122 118-0083 0	*122 118-0023 0		*122 118-0043 0	*122 118-0013 0		
9	Spring	*122 119-0023 0	*122 119-0023 0		*122 119-0023 0	*122 119-0023 0		
10	Main adjust screw	*122 120-0043 0	*122 120-0023 0		*122 120-0043 0	*122 120-0013 0		
11	Body plug (L)	*122 145-0083 0	*122 145-0023 0		*122 145-0023 0	*122 145-0013 0		
12	Body plug (S)	*122 146-0083 0	*122 146-0023 0					
13	Tension spring	*122 122-0083 0	*122 122-0023 0		*122 122-0023 0	*122 122-0023 0		
14	Inlet control lever	*122 123-0083 0	*122 123-0023 0		*122 123-0023 0	*122 123-0013 0		
15	Screw	*122 144-0023 0	*122 144-0023 0		*122 144-0023 0	*122 144-0023 0		
16	Body cover	*122 124-0083 0	*122 124-0023 0		*122 124-0023 0			
17	Pump gasket	*122 125-0083 0	*122 125-0023 0		*122 125-0023 0	*122 125-0013 0		
18	Fuel Filter	*122 126-0023 0	*122 126-0023 0		*122 126-0023 0	*122 126-0013 0		
19	Throttle shaft clip	*122 127-0023 0	*122 127-0023 0		*122 127-0023 0	*122 127-0013 0		
20	Spring	*122 119-0023 0	*122 119-0023 0		*122 121-0043 0			
21	Choke shaft		*122 131-0023 0		*122 131-0023 0	*122 131-0013 0		
22	Choke Butterfly		*122 132-0023 0		*122 132-0023 0	*122 132-0013 0		
23	Spring	*122 133-0023 0	*122 133-0023 0		*122 135-0023 0	*122 133-0013 0		
24	Screw	*122 134-0023 0	*122 134-0023 0		*122 134-0023 0	*122 134-0013 0		
25	Choke set spring		*122 135-0023 0		*122 135-0023 0	*122 135-0023 0		
26	Choke set ball		*122 136-0023 0		*122 136-0023 0	*122 136-0013 0		
27	Needle valve	*122 137-0083 0	*122 137-0023 0		*122 137-0023 0	*122 137-0013 0		
28	Lever shaft	*122 138-0083 0	*122 138-0023 0		*122 138-0023 0			
29	Lever shaft screw	*122 139-0023 0	*122 139-0023 0		*122 139-0023 0	*122 139-0013 0		
30	Diaphragm gasket	*122 140-0083 0	*122 140-0023 0		*122 140-0023 0	*122 140-0013 0		
31	Diaphragm	*122 141-0083 0	*122 141-0023 0		*122 141-0023 0	*122 141-0013 0		
32	Diaphragm cover	*122 142-0083 0	*122 142-0023 0		*122 142-0023 0	*122 142-0013 0		
33	Check valve				*122 147-0043 1	*122 147-0013 0		
34	Fuel pump body					*122 157-0013 0		
35	Screw & lock washer					*122 158-0013 0		
36	Screw					*122 161-0013 0		
37	Screw					*122 130-0013 0		
38	Washer					*122 129-0013 0		
39	Screw					*122 148-0013 0		
40	Washer					*122 149-0013 0		
41	Throttle lever					*122 150-0013 0		
42	Nut	* mark: Included in carburetor ass'y.					*122 151-0013 0	
43	Packing					*122 152-0013 0		
44	Washer					*122 153-0013 0		
45	Needle Valve gasket					*122 155-0013 0		
46	Filter cover packing					*122 159-0013 0		
47	Fuel filter cover					*122 160-0013 0		

## (7) CARBURETOR



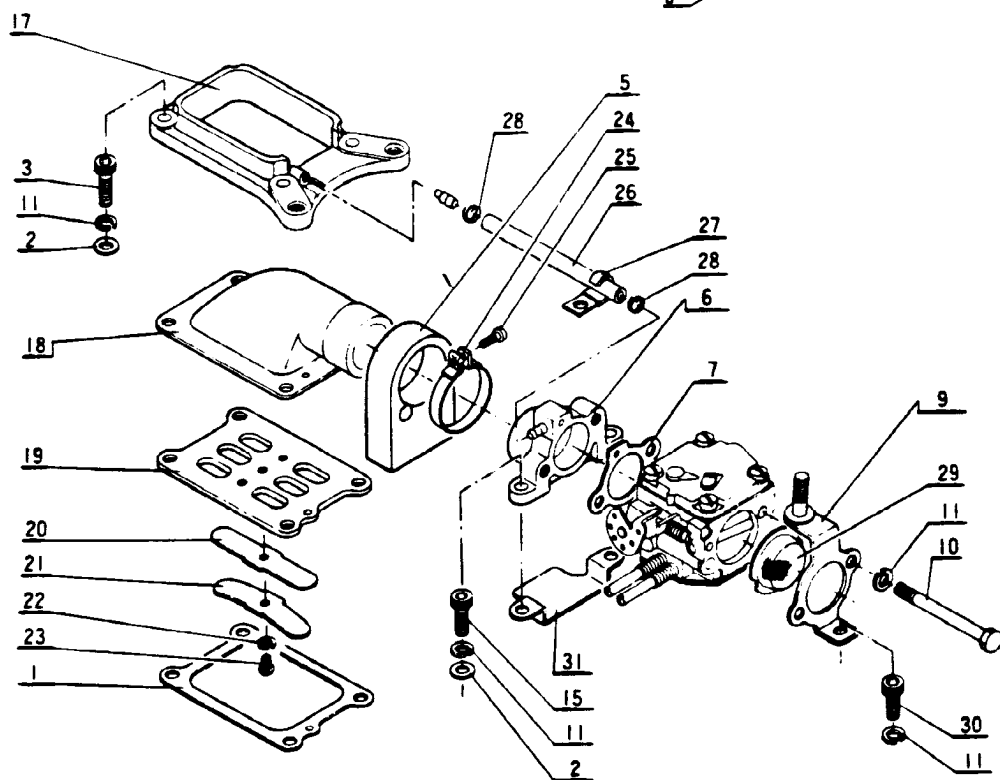
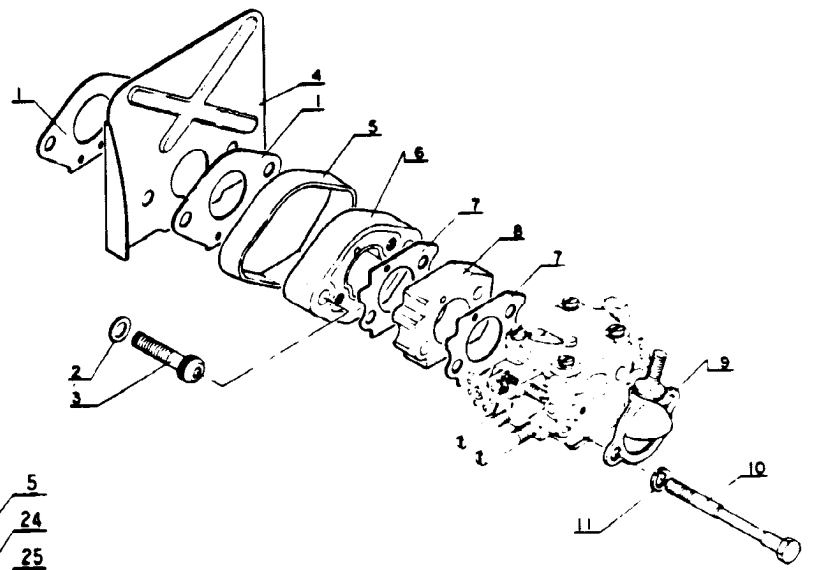
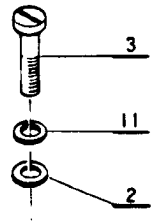
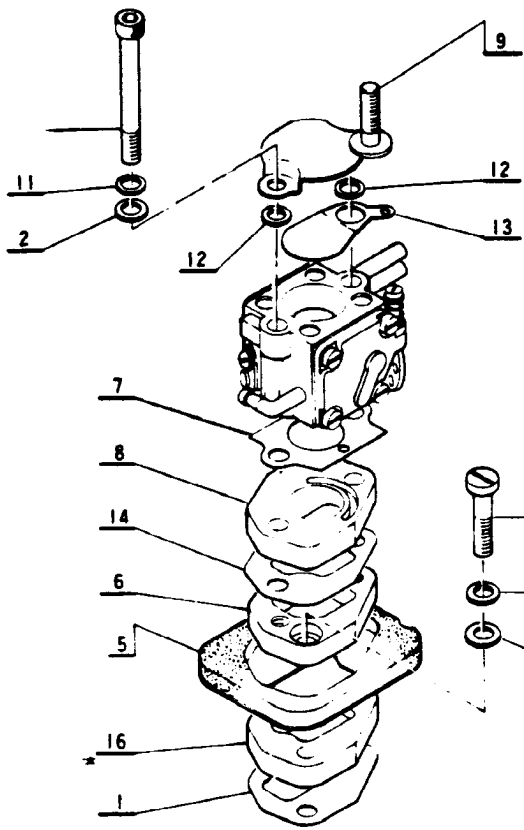
(8) Crank case

Key No.	Description	CS-301	CS-80S (JIS)	CS-60S (ISO)	CS-802S	CS-100 (JIS)	CS-100 (ISO)
8- 1	Thumb Nut (bolt)		130 406-0023 0	130 406-0033 0		101 505-0013 0	
2	O-ring		130 414-0023 0			101 517-0013 0	
3	Washer					101 516-0013 0	
4	Circlip		900 701-0001 1			900 700-0000 6	
5	Cylinder cover		101 514-0033 1			101 514-0013 1	
6	Stud bolt		100 214-0033 0			100 219-0013 0	
7	Crank case packing		100 242-0023 0	100 242-0033 0		100 242-0013 0	
8	Crank case		100 200-0033 0	100 200-0033 1		100 200-0013 1	100 200-0013 2
10	Washer		433 015-0023 0			900 600-0000 6	
11	Spring washer					900 605-0000 6	
12	Bolt		130 021-0033 0			900 100-0601 4	
13	Name plate		890 012-0033 1			890 112-0013 1	
14	Screw		900 010-0300 6	900 210-0300 6		900 010-0400 6	900 210-0400 6
15	Nut		100 216-0033 0			900 500-0000 6	
16	Stud bolt					100 214-0013 0	
17	Bolt		100 244-0023 0	130 016-0283 0		351 015-0013 0	351 218-0083 0
18	Spring washer		900 605-0000 5			900 605-0000 5	
19	Washer		900 600-0000 5			900 600-0000 5	
22	Kneck pin		100 215-0283 0			100 215-0013 0	
23	Pump lever bush					100 249-0013 0	
24	Model plate		890 010-0033 1			890 010-0013 1	
25	Rivet		890 011-0013 0			890 011-0013 0	
26	Rubber cushion					100 253-0013 0	
27	Choke operation connector					178 513-0013 0	
28	Choke lever connector					178 810-0013 0	
29	Choke lever					178 505-0013 0	
30	Slit pin		900 300-2001 5				
31	Washer		900 600-0000 6				
32	Felt packing		131 410-0033 0				
33	Right handle supporter (U)		351 217-0033 0				
34	Bolt		100 245-0023 0	101 014-0083 0			
35	Fan cover adapter		101 510-0033 1				
36	Muffler Supporter					145 711-0013 0	
20	Helisert					100 218-0013 0	
9	Fan cover			101 511-0033 3		(101 511-0013 1)	101 511-0013 2



(9) Fuel line

Key No.	Description	CS-301	CS-60S (JIS)	CS-60S (ISO)	CS-802S	CS-100 (JIS)	CS-100 (ISO)
9-1	Fuel pipe (outer)			132 012-0033 0		132 012-0013 0	
2	Fuel pipe connector			132 011-0033 1		132 011-0013 0	
3	Fuel pipe (inner)			132 010-0033 1		132 010-0013 0	
4	Air pipe			131 312-0033 1		131 312-0013 0	
5	Filter			131 315-0033 0		131 315-0033 0	
6	Check valve holder			131 313-0033 0		131 313-0033 0	
7	Check valve			131 314-0033 0			
8	Nipple			131 311-0033 1		131 311-0033 1	
9	Packing			131 318-0033 0		131 310-0023 0	
10	Pipe connector			131 316-0033 0			
11	Connecting pipe			131 317-0033 0		131 320-0013 0	
12	Fuel strainer			131 205-0023 0		131 205-0023 0	
13	Fuel filter			131 110-0033 0			
14	O-ring			131 028-0023 0		131 028-0023 0	
15	Fuel tank cap			131 017-0033 0		131 017-0013 0	
16	Seal washer			132 019-0033 0			
17	Clip			132 013-0033 0		132 013-0013 0	
18	Clip			437 221-0033 0			
19	Breezer pipe (inner)					131 305-0013 1	
20	Grommet					437 410-0013 0	



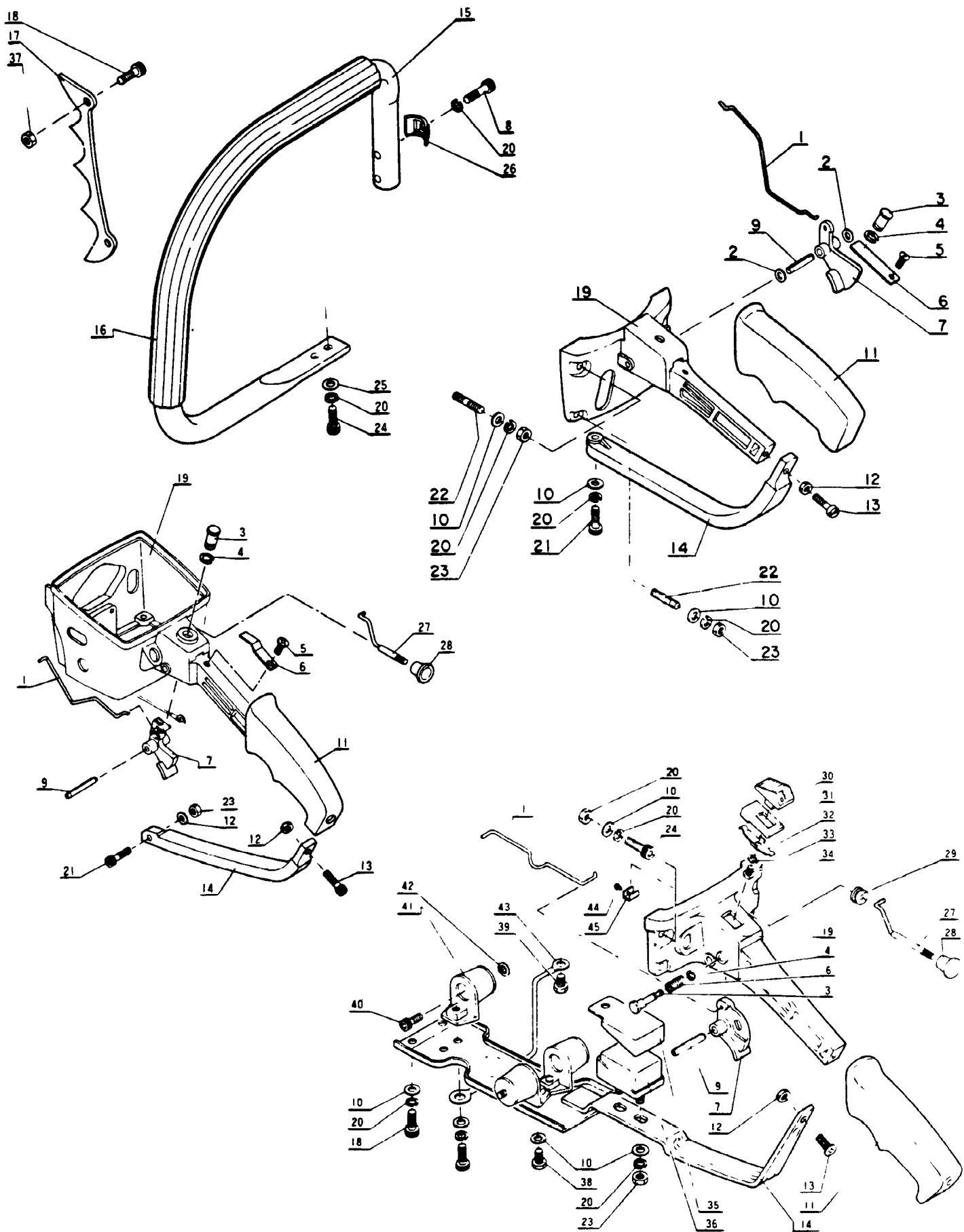
(10) INSULATOR

## (10) Insulator

Key No.	Description	CS-301	CS-60S (JIS)	CS-60S (ISO)	CS-802S	CS-100 (JIS)	CS-100 (ISO)
10-1	Packing	130 010-0083 0	130 010-0023 0		130 610-0043 0		
2	Washer	900 600-0000 5	433 015-0023 0		900 600-0000 5		
3	Bolt	130 015-0083 1	130 015-0033 0		130 514-0043 0		
4	Wind-proof plate		130 011-0023 0				
5	Dust seal	130 006-0083 0	130 012-0023 0		130 515-0063 0		
6	Carburetor bed	130 013-0083 0	130 005-0033 0	130 005-0033 1	130 005-0043 0		
7	Packing	130 016-0083 0	130 016-0033 0		130 016-0043 0		
8	Insulator	130 073-0083 0	130 017-0033 0				
9	Cleaner set plate	130 405-0083 0	130 405-0033 0	130 405-0033 1	130 405-0063 0		
10	Bolt	101 512-0083 0	130 021-0033 0	130 021-0033 1	130 021-0043 0		
11	Spring washer	900 605-0000 5	900 605-0000 5		900 605-0000 5		
12	Washer	178 516-0083 0					
13	Choke shutter	178 515-0083 0					
14	Packing	130 022-0083 0					
15	Bolt				130 015-0043 0		
16	Insulator (II)	130 017-0083 0					
17	Frame				130 507-0063 1		
18	Suction pipe				130 505-0043 0		
19	Valve set plate				130 611-0043 0		
20	Reed valve				130 612-0043 0		
21	Valve guide				130 613-0043 0		
22	Spring washer				900 605-0000 3		
23	Screw				900 210-0300 5		
24	Band				130 516-0053 0		
25	Screw				130 517-0053 0		
26	Connecting pipe				130 110-0043 0		
27	Pipe set clip				130 210-0043 0		
28	Clip				130 111-0053 0		
29	Net				129 011-0053 0		
30	Bolt				130 417-0043 0		
31	Dust seal plate				131 018-0063 0		

## (10) INSULATOR

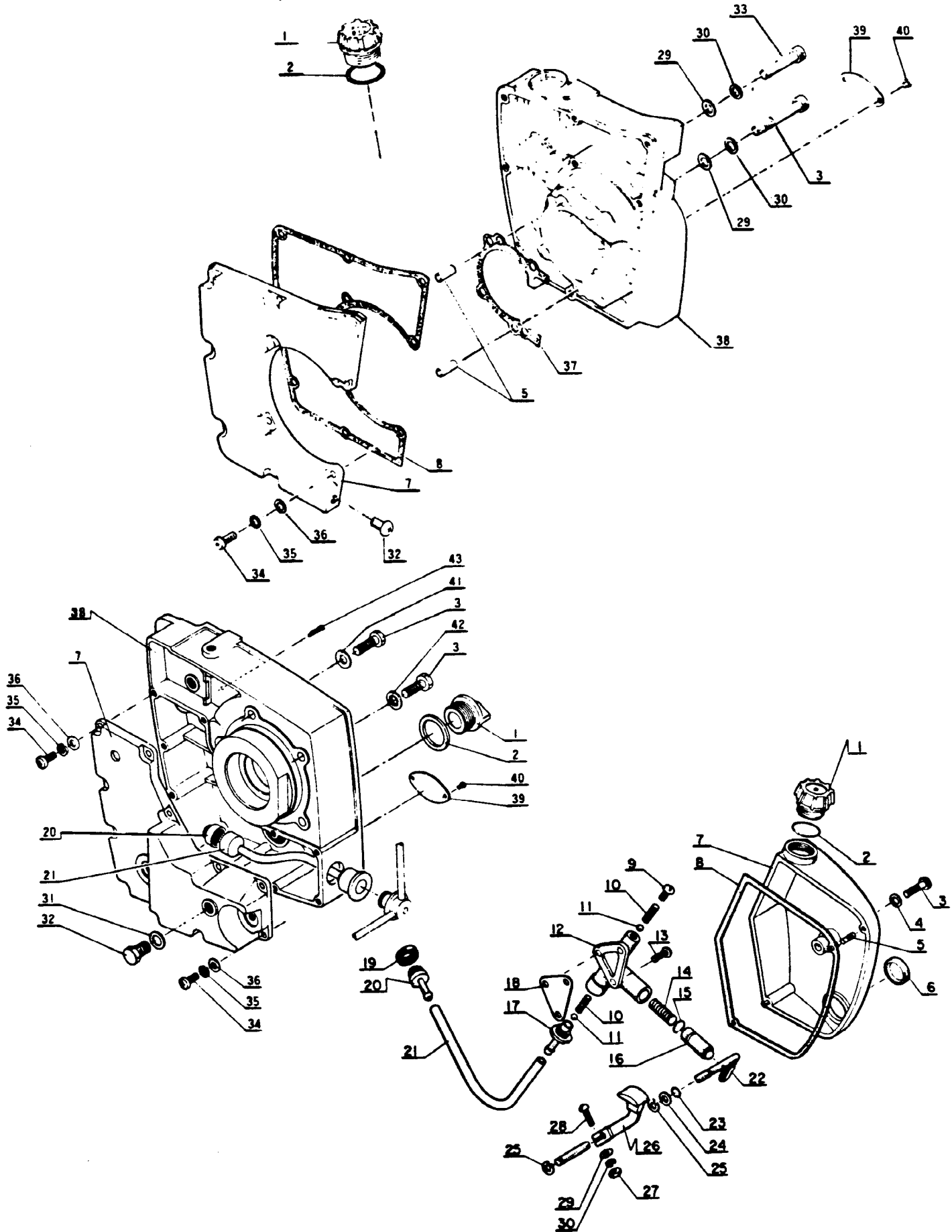




(11) HANDLE

## (11) Handle

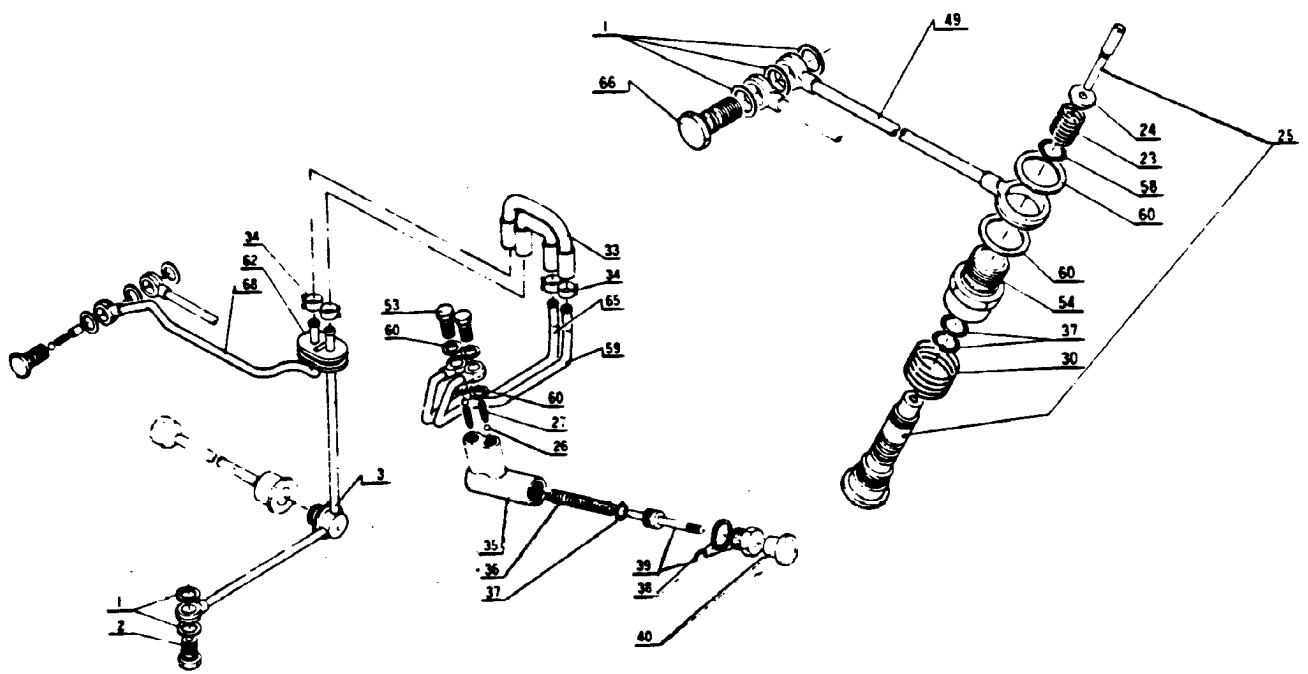
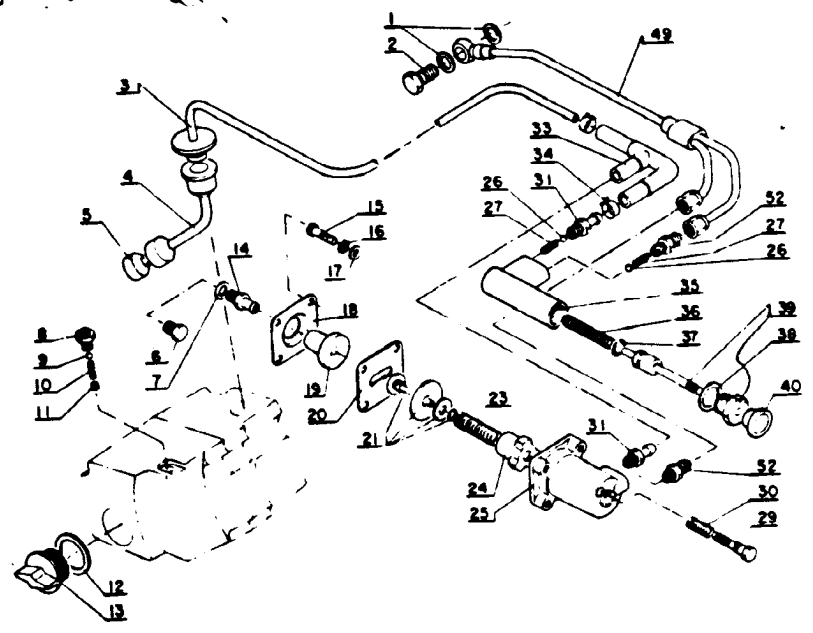
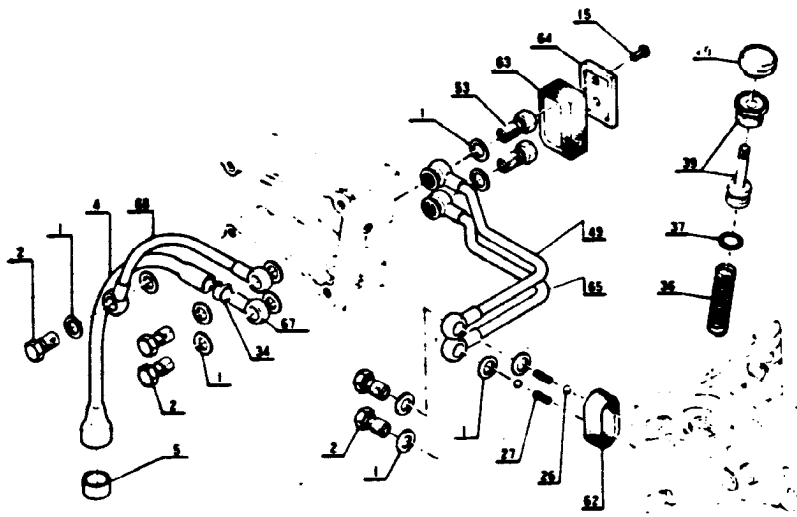
Key No	Description	CS-301	CS-80S (JIS)	CS-80S (ISO)	CS-802S	CS-100 (JIS)	CS-100 (ISO)
11-1	Choke rod	178 011-0083 0	178 011-0023 0		178 011-0043 0	178 011-0013 0	
2	Washer					800 800-0000 5	
3	Throttle stopper	178 012-0083 1	178 012-0023 0		178 012-0043 1	178 012-0013 0	
4	E-ring	800 700-0000 3	800 700-0000 6		800 700-0000 3	800 700-0000 6	
5	Screw		800 014-0500 8	800 210-0500 8		800 014-0500 8	800 210-0500 8
6	Leaf spring	178 013-0043 0	178 013-0023 0		178 013-0043 0	178 013-0013 0	
7	Throttle trigger	178 010-0083 0	178 005-0033 0		178 010-0043 0	178 010-0013 0	
8	Bolt	351 218-0083 0	351 218-0033 0		351 218-0043 0	351 231-0043 0	
9	Trigger shaft	178 110-0083 0	178 110-0023 0		178 110-0023 0	178 110-0023 0	
10	Washer	800 800-0000 5	800 600-0000 6		800 600-0000 6	800 800-0000 6	
11	Right handle rubber	351 012-0083 0	351 012-0013 0		351 012-0043 0	351 012-0013 1	
12	Nut	433 020-0083 0	800 020-0000 5	800 500-0000 5	145 713-0063 0	800 020-0000 5	800 500-0000 5
13	Bolt	101 023-0083 0	351 013-0033 0	351 218-0083 0	800 212-0601 0	351 013-0033 0	351 218-0083 0
14	Right handle supporter	351 011-0083 0	351 011-0033 0		351 011-0063 1	351 011-0013 1	
15	Left handle	351 205-0083 0	351 205-0033 0		351 205-0063 1	351 205-0013 0	
16	Left handle rubber	351 213-0083 0	351 213-0023 0		351 216-0043 0	351 216-0013 0	
17	Spike bumper	880 210-0083 0	880 210-0023 0		880 210-0063 0	880 210-0013 0	
18	Bolt	130 417-0043 0	100 118-0013 0	100 118-0083 0	880 211-0043 0	800 100-0601 4	
19	Right handle	351 010-0083 0	(351 025-0033 0)	351 025-0033 1	351 010-0063 0	(351 010-0013 1)	351 010-0013 2
20	Spring washer	800 605-0000 5	800 605-0000 6		800 605-0000 6	800 605-0000 6	
21	Bolt	800 100-0601 6	351 014-0033 0	100 245-0083 0		351 014-0013 0	
22	Stud bolt					100 254-0013 0	
23	Nut	800 500-0000 5	351 015-0033 0	433 022-0283 0	145 713-0063 0	145 710-0023 0	
24	Bolt	101 023-0083 0	351 218-0033 0		351 014-0013 0	101 026-0013 0	
25	Washer	800 600-0000 5	800 600-0000 6			351 221-0013 0	
26	Handle set plate				351 219-0043 0		
27	Choke rod	178 501-0083 1	178 501-0033 2		178 501-0043 0		
28	Push button	178 512-0043 0	*178 512-0043 0		*178 512-0043 0		
29	Rubber bush	178 810-0023 0			178 810-0283 0		
30	Stop switch	163 410-0063 0			163 410-0063 0		
31	Switch guide	163 411-0083 0			163 411-0063 1		
32	Switch spring	163 412-0063 0			163 412-0063 0		
33	Spring washer	800 605-0000 4			800 605-0000 4		
34	Screw	800 210-0400 8			800 210-0400 8		
35	Stopper B				351 022-0063 0		
36	Stopper A				351 021-0063 0		
37	Nut				800 500-0000 6		
38	Bolt				100 915-0063 0		
39	Bolt				800 100-0601 0		
40	Bolt				101 023-0083 0		
41	Cushion rubber				100 905-0063 2		
42	Seal washer				100 914-0063 0		
43	Earth cord				162 005-0043 0		
44	Earth plate				351 023-0063 0		
45	Rivet				880 011-0013 0		



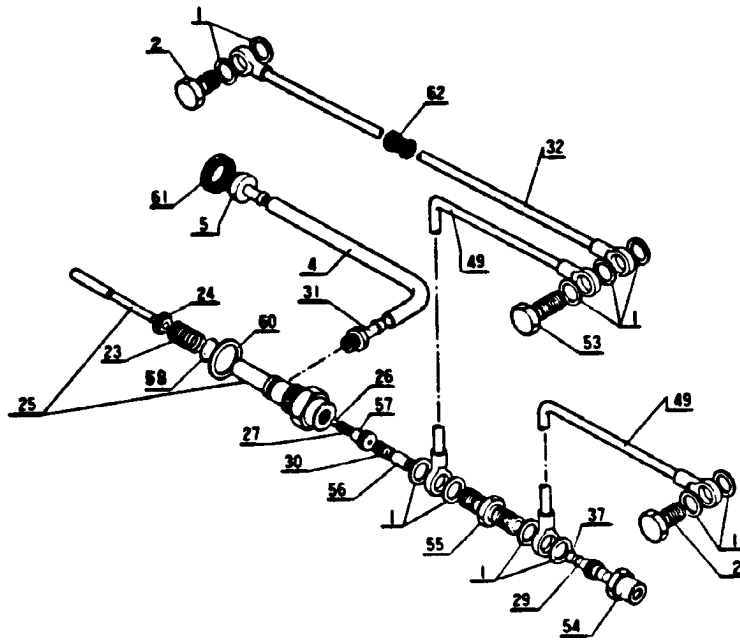
(12) OIL TANK

## (12) Oil tank

Key No.	Description	CS-301	CS-60S (JIS)	CS-60S (ISO)	CS-602S	CS-100 (JIS)	CS-100 (ISO)
12-1	Oil tank cap	436 000-0013 0			436 013-0043 0	436 000-0013 0	
2	Packing (O-ring)	436 012-0023 0			436 012-0043 0	436 012-0023 0	
3	Bolt	100 244-0083 0			100 244-0043 0	101 026-0013 0	
4	Washer					351 221-0013 0	
5	Knock pin	100 215-0283 0				436 018-0013 0	
6	Oil gauge					436 017-0013 0	
7	Oil tank	436 020-0083 0			436 020-0063 0	436 006-0013 1	
8	Oil tank packing	436 019-0083 0				436 019-0013 0	
9	Screw					900 200-0600 5	
10	Valve spring					437 116-0013 0	
11	Ball valve					437 117-0013 0	
12	Oil pump body					437 110-0013 0	
13	Screw					900 010-0501 6	900 210-0501 6
14	Pump spring					437 111-0013 0	
15	O-ring					437 020-0013 0	
16	Oil pump piston					437 112-0013 0	
17	Nipple					437 118-0013 0	
18	Packing					437 113-0013 0	
19	Oil strainer cover					436 212-0013 0	
20	Oil strainer				436 210-0033 2	436 206-0013 0	
21	Oil inner pipe				437 210-0043 0	437 210-0013 0	
22	Push lever					707 010-0013 0	
23	O-ring					437 031-0043 0	
24	Washer					707 011-0013 0	
25	E-ring					900 700-0000 4	
26	Push lever					707 005-0013 0	
27	Nut					900 020-0000 5	900 500-0000 5
28	Screw					900 010-0501 4	900 210-0501 4
29	Washer	100 247-0283 0				900 600-0000 5	
30	Spring washer	900 605-0000 5				900 605-0000 5	
31	Packing				437 219-0013 0		
32	Bolt (Screw)	900 210-0400 8			900 100-0801 2		
33	Bolt	100 244-0083 0					
34	Screw	900 210-0401 2			900 210-0401 2		
35	Spring washer	900 605-0000 4			900 605-0000 4		
36	Washer	900 600-0000 4			900 600-0000 4		
37	Crank case packing	100 242-0083 0					
38	Crank case	100 200-0083 2			100 205-0063 0		
39	Model plate	890 010-0083 1			890 010-0063 0		
40	Rivet	890 011-0013 0			890 011-0013 0		
41	Washer				100 247-0043 0		
42	Seal washer				100 246-0043 0		
43	Slit pin				900 300-2001 5		



(13) OIL LINE

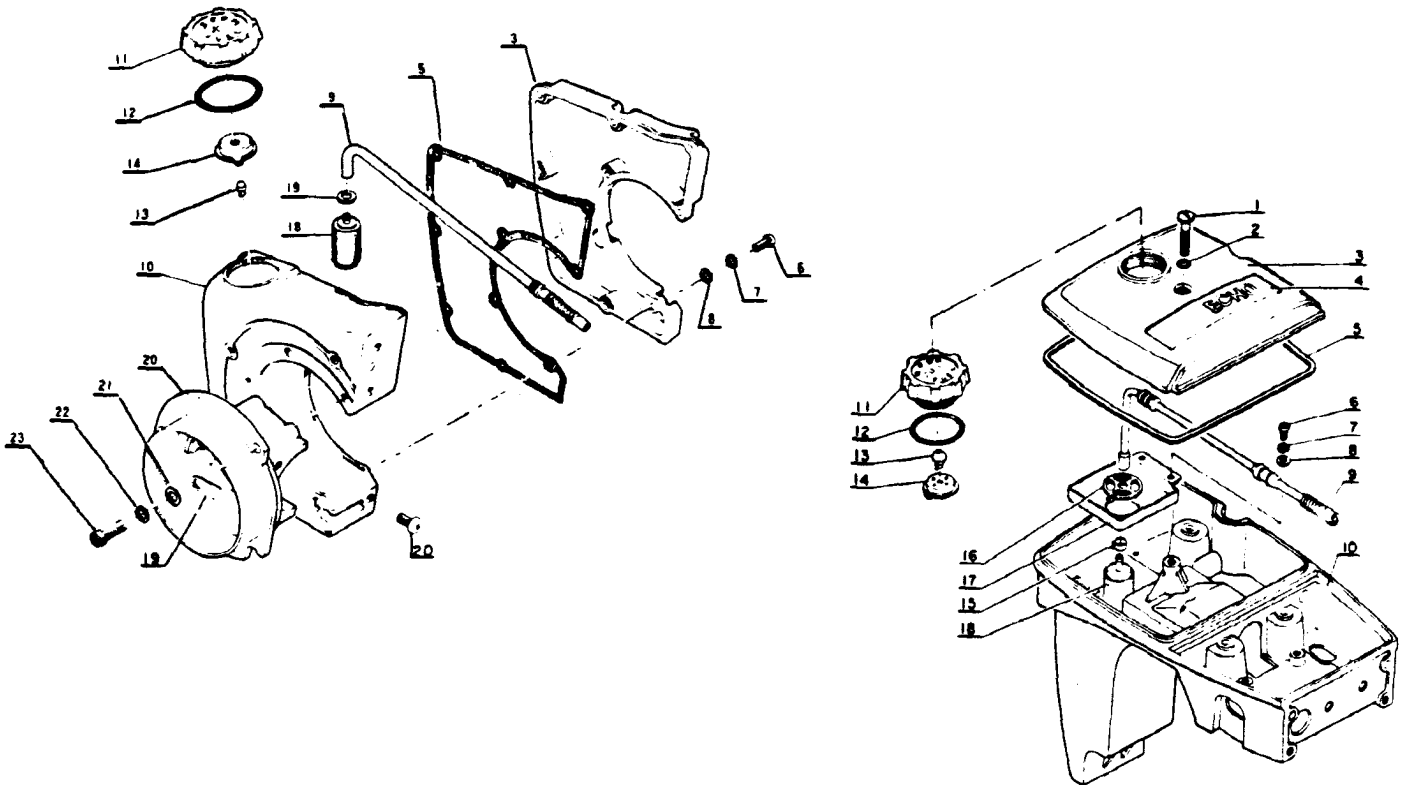


(13) Oil line

Key No.	Description	CS-301	CS-80S (JIS)	CS-80S (ISO)	CS-802S	CS-100 (JIS)	CS-100 (ISO)
13-1	Packing	437 219-0083 0	437 219-0033 0		437 219-0013 0	437 219-0013 0	
2	Holding bolt	437 220-0083 0	437 220-0033 0		437 220-0013 0	437 220-0013 0	
3	Oil pipe		437 205-0033 0		437 205-0063 0		
4	Oil inner pipe	437 210-0083 0	437 210-0023 1			437 210-0013 0	
6	Oil strainer	436 210-0033 2	436 210-0033 2			436 205-0013 0	
6	Plug		100 411-0033 0				
7	Packing		131 310-0023 0				
8	Nut		436 110-0023 0				
9	Ball valve		436 111-0023 0				
10	Valve spring		436 112-0023 0				
11	Plug		436 113-0023 0				
12	Packing		436 012-0043 0				
13	Oil tank cap		436 013-0023 0				
14	Nipple		100 410-0033 0				
15	Screw	900 210-0300 6	900 012-0401 5	900 210-0401 5			
16	Spring washer		900 806-0000 4				
17	Washer		900 800-0000 4				
18	Retainer		437 027-0033 0				
19	Connector		437 026-0033 0				
20	Packing		437 025-0033 0				
21	Plunger		437 006-0033 0				
23	Spring		437 019-0033 0		437 019-0043 0	437 019-0013 0	
24	Spring case		437 018-0033 0		437 018-0013 0	437 018-0013 0	
25	Oil cylinder		→	437 001-0033 2	437 002-0063 0	437 002-0013 0	
26	Ball valve	437 012-0033 0	437 012-0033 0		437 012-0013 0	437 012-0013 0	
27	Valve spring	437 013-0033 0			437 013-0033 0	437 013-0023 0	
29	Adjusting screw		437 016-0033 0	437 016-0033 1		437 016-0013 0	
30	Spring		437 015-0033 0		437 036-0063 0	437 015-0013 0	
31	Nipple		437 017-0033 0			131 311-0013 0	131 311-0013 1

(13) OIL LINE

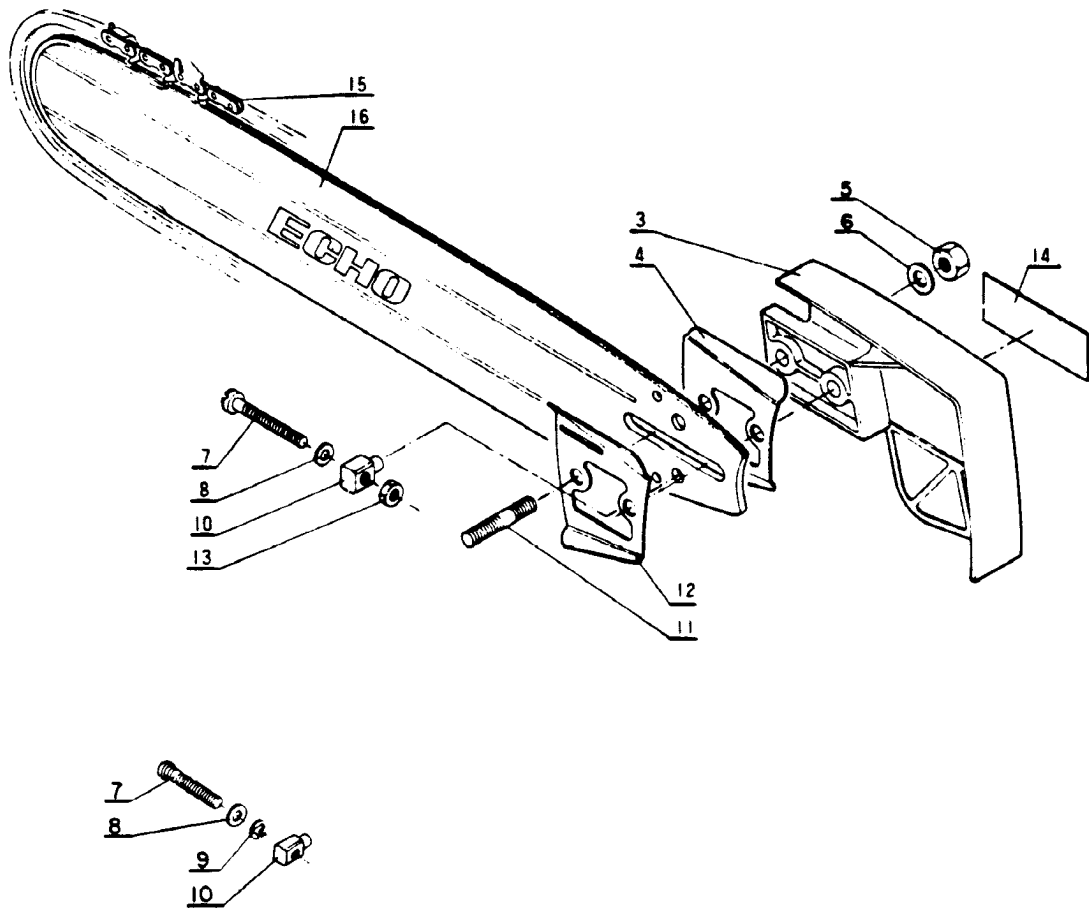
Key No.	Description	CS-301	CS-80S (JIS)	CS-80S (ISO)	CS-902S	CS-100 (JIS)	CS-100 (ISO)
32	Oil pipe		437 206-0033 0				437 206-0013 0
3	Oil rubber pipe		437 215-0033 0		437 215-0063 0		
34	Clip		437 221-0033 0		437 221-0033 0		
35	Oil pump body		437 110-0023 1		437 110-0063 0		
36	Oil pump spring	437 111-0063 0	437 111-0023 1		437 111-0023 1		
37	O-ring	437 020-0013 0	131 013-0043 0		131 013-0043 0		437 030-0013 0
38	Lock washer		(437 114-0023 0)		(437 114-0023 0)		
39	Oil pump piston (incl nut)	437 101-0063 0	437 101-0043 0	437 101-0033 0	437 101-0063 0		
40	Push button	437 119-0063 0	178 512-0043 0		178 512-0043 0		
49	Oil pipe	437 207-0063 0		437 207-0033 0	437 207-0063 0		437 208-0013 0
52	Nipple			437 062-0033 0			
53	Holding bolt	437 222-0063 0			437 227-0063 0		437 222-0013 0
54	Adjusting Nut				437 010-0063 0		437 032-0013 0
56	Pump adjuster						437 028-0013 0
56	Pump spacer						437 029-0013 0
57	Valve seat						437 014-0013 0
58	O-ring				437 020-0013 0		437 020-0013 0
59	Oil pipe				437 306-0063 0		
60	Packing				437 026-0063 0		437 025-0013 0
61	Oil strainer cover						436 212-0013 0
62	Grommet	437 510-0063 0			437 410-0023 0		437 410-0013 0
63	Dust seal	100 510-0063 0					
64	Dust seal plate	100 806-0063 0					
65	Oil pipe	437 209-0063 0			437 209-0063 0		
66	Holding bolt				437 200-0063 0		
67	Banjo connector	437 214-0063 0					
68	Oil pipe	437 206-0063 0			437 206-0043 0		



(14) Fuel tank

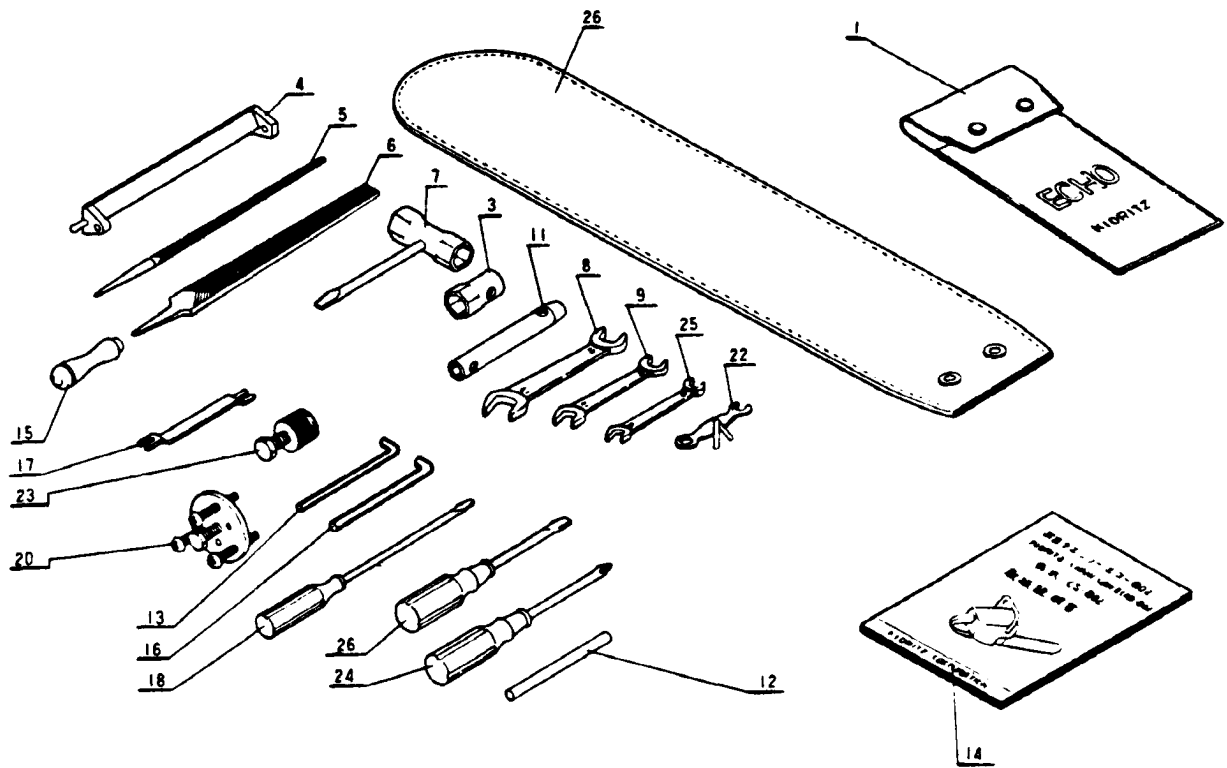
Key No.	Description	CS-301	CS-60S (JIS)	CS-60S (ISO)	CS-802S	CS-100 (JIS)	CS-100 (ISO)
14-1	Screw				131 014-0043 0		
2	O-ring				131 013-0043 0		
3	Fuel tank lid	131 012-0083 0			131 012-0043 0		
4	Echo label				890 013-0063 0		
5	Fuel tank packing	131 011-0083 0			131 011-0043 0		
6	Screw	900 210-0401 2			900 210-0401 0		
7	Spring washer	900 605-0000 4			900 605-0000 4		
8	Washer	900 600-0000 4			900 600-0000 4		
9	Fuel pipe	132 010-0083 0			132 010-0063 0		
10	Fuel tank	131 010-0083 2			131 010-0063 0		
11	Fuel tank cap	131 017-0043 0			131 017-0043 0		
12	O-ring	131 028-0023 0			131 028-0023 0		
13	Check valve	131 314-0033 0			131 314-0033 0		
14	Check valve holder	131 015-0083 0			131 205-0043 0		
15	Clip				132 013-0063 0		
16	Fuel pipe spacer				132 112-0063 0		
17	Fuel pipe supporter				132 105-0063 1		
18	Fuel strainer	131 205-0083 0			131 205-0023 0		
19	Washer	900 600-0000 6					
20	Crank case	(100 200-0083 2)					
21	Washer	900 600-0000 5					
22	Spring washer	900 605-0000 5					
23	Bolt	101 023-0083 0					





(15) Guide bar

Key No.	Description	CS-301	CS-60S (JIS)	CS-60S (ISO)	CS-802S	CS-100 (JIS)	CS-100 (ISO)
15-3	Guide bar cover	433 010-0083 0	433 010-0033 0		433 010-0063 0	433 010-0013 2	
4	Side plate (I)	433 012-0083 0	433 012-0023 0		433 012-0043 0	433 012-0013 0	
5	Nut	900 500-0000 8	433 019-0033 0		900 500-0000 8	433 019-0013 0	
6	Washer	900 600-0000 8	(900 600-0000 8)		900 600-0000 8	900 600-0001 0	
7	Adjusting screw	433 016-0083 0	433 016-0023 0	433 016-0283 0	433 016-0023 0	433 016-0013 0	
8	Washer	900 600-0000 5	433 015-0023 0	100 247-0283 0	433 015-0023 0	433 015-0013 0	
9	E-ring	/				900 700-0000 6	
10	Tensioner	433 014-0083 0	433 014-00023 0	433 014-0283 0	433 014-0043 0	433 014-0013 0	
11	Guide bar stud bolt	433 011-0033 0	433 011-0033 0		433 011-0043 0	433 011-0013 0	
12	Side plate (II)	433 013-0083 0	433 013-0023 0		433 013-0043 0	433 013-0013 0	
13	Lock nut	433 020-0083 0	351 229-0273 0	433 022-0283 0	351 229-0273 0		
14	Echo plate		890 021-0283 1		890 021-0063 0	890 021-0283 1	



(16) Tools

Key No.	Description	CS-301	CS-80S (JIS)	CS-80S (ISO)	CS-802S	CS-100 (JIS)	CS-100 (ISO)	
16-	Tool set	896 000-0083 0	896 000-0033 0		896 000-0063 0	896 000-0013 0		
1	Tool bag	* 898 510-0111 0	* 898 510-0283 0		* 898 510-0283 0	* 898 510-0283 0		
3	Box wrench		* 895 310-0033 0		* 895 310-0033 0			
4	File holder		* 897 600-0033 0		* 897 600-0033 0	* 897 600-0033 0		
5	Round File	* 897 510-0083 0	* 897 510-0033 0		* 897 510-0023 0	* 897 510-0023 0		
6	Flat File	* 897 511-0023 0	* 897 511-0023 0		* 897 511-0023 0	* 897 511-0023 0		
7	Box wrench w/driver	* 895 410-0283 0	* 895 410-0033 1	* 895 410-0283 0	* 897 410-0283 0	* 895 410-0013 0		
8	Spanner		* 895 113-0033 0	* 895 123-0283 0	* 895 116-0063 0			
9	Spanner		* 895 112-0033 0	* 895 110-0023 0	* 895 110-0023 0	* 895 110-0023 0		
11	Box wrench		* 895 411-0033 0	* 895 413-0063 0	* 895 413-0063 0	* 895 411-0033 0	* 895 413-0063 0	
12	Box wrench rod		* 895 412-0023 0		* 895 412-0023 0	* 895 412-0023 0		
13	L-wrench	* 895 610-0013 0	* 895 610-0013 0		* 895 610-0013 0			
15	File grip		* 897 512-0023 0		* 897 512-0023 0	* 897 512-0023 0		
16	L-wrench		* 895 611-0033 0		* 895 611-0033 0			
17	Depth gauge	* 897 514-0083 0	* 897 514-0023 0		* 897 514-0023 0	* 897 514-0023 0		
18	Screw driver (125 mm)	* 895 811-0013 0	* 895 811-0013 0		* 895 811-0013 0	* 895 811-0013 0		
20	Puller (Clutch)	* (897 524-0083 0)	* 897 500-0033 1		* 897 500-0033 1			
22	Magneto spinner		* 895 115-0033 0		* 895 115-0033 0	* 895 115-0033 0		
23	Puller (Magneto)	* 897 501-0083 0			* 897 501-0013 0	* 897 501-0013 0		
24	Screw driver (+)	* 895 710-0043 0		* 895 710-0043 0	* 895 710-0043 0			
25	Spanner				* 895 111-0013 0	* 895 111-0013 0		
26	Screw Driver (-)					* 895 810-0023 0		
14	Instruction manual	898 512-0083 0	898 512-0033 0		898 512-0063 0	898 512-0013 0		
26	Chain cover				898 513-0013 0	898 513-0013 0		
		* mark: Included in Tool set.						